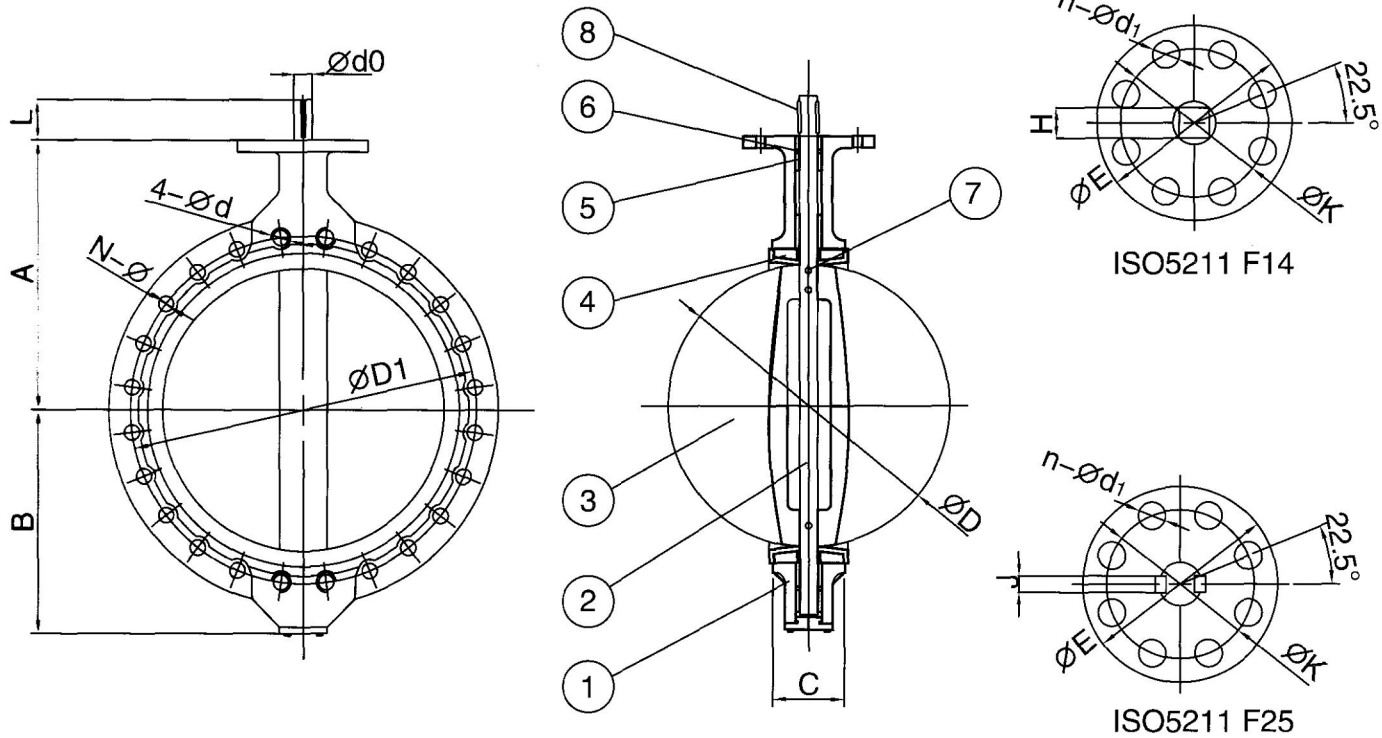


Vanne papillon type WAFER (simple bride)

Wafer Butterfly Valve(DN400–1200)



Material List

| NO. | PARTS NAME | MATERIAL |
|-----|-------------|---|
| 1 | BODY | Cast iron/Ductile iron/Stainless steel/Carbon steel |
| 2 | Upper shaft | SS416/Carbon steel/Tianium steel/SS316/Monel |
| 3 | DISC | Al-Bronze/Monel/CF8M/WCB/Ductile iron |
| 4 | SEAT | EPDM/PTFE/Buna/Hypalon/Viton/Neoprene |
| 5 | BUSHING | P.T.F.E./Lubricating |
| 6 | O-RING | EPDM/Buna/Hypalon/Viton/Neoprene |
| 7 | PIN | SS416/Carbon steel/Tianium steel/SS316/Monel |
| 8 | KEY | Carbon steel/Stainless steel |

Outline Dimensions & Connection Dimensions(mm) & Weight(Kg):

| SIZE | A | B | C | D | d0 | ISO5211 | ØE | ØK | n-Ød1 | J | H | L | ØD1 | N-Ø | 4-Ød | Weight(Kg) |
|------|-----|-----|-------|--------|-------|---------|-----|-----|-------|----|----|-----|------|-------|-------|------------|
| 14" | 368 | 267 | 76.5 | 333.3 | 31.6 | F10 | 140 | 102 | 4-12 | -- | 22 | 45 | 470 | 4-26 | 4-M24 | 41.3 |
| 16" | 400 | 309 | 86.5 | 389.6 | 33.15 | F14 | 197 | 140 | 4-18 | -- | 27 | 52 | 525 | 4-30 | 4-M27 | 61 |
| 18" | 422 | 328 | 105.6 | 440.5 | 38 | F14 | 197 | 140 | 4-18 | -- | 27 | 52 | 585 | 4-30 | 4-M27 | 79 |
| 20" | 480 | 361 | 131.8 | 491.6 | 41.15 | F14 | 197 | 140 | 4-18 | -- | 36 | 65 | 650 | 4-33 | 4-M30 | 128 |
| 24" | 562 | 459 | 152 | 592.5 | 50.65 | F16 | 197 | 140 | 4-18 | -- | 36 | 70 | 770 | 20-36 | 4-M30 | 188 |
| 28" | 624 | 520 | 163 | 695 | 63.35 | F25 | 300 | 254 | 8-18 | 16 | -- | 80 | 840 | 24-36 | 4-M33 | 284 |
| 30" | 660 | 539 | 167 | 744.4 | 63.35 | F25 | 300 | 254 | 8-18 | 16 | -- | 80 | 900 | 24-36 | 4-M33 | 713 |
| 32" | 672 | 591 | 188 | 795.4 | 63.35 | F25 | 300 | 254 | 8-18 | 16 | -- | 80 | 950 | 24-39 | 4-M33 | 713 |
| 36" | 720 | 656 | 203 | 864.7 | 75 | F25 | 300 | 254 | 8-18 | 20 | -- | 118 | 1050 | 28-39 | 4-M36 | 864 |
| 40" | 800 | 721 | 216 | 965 | 85 | F25 | 300 | 254 | 8-18 | 20 | -- | 142 | 1170 | 28-42 | 4-M39 | 1022 |
| 48" | 941 | 864 | 276 | 1160.6 | 105 | F30 | 350 | 295 | 8-22 | 28 | -- | 154 | 1390 | 28-48 | 4-M45 | 1432 |