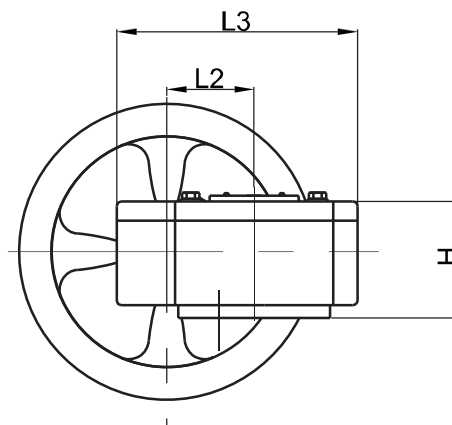
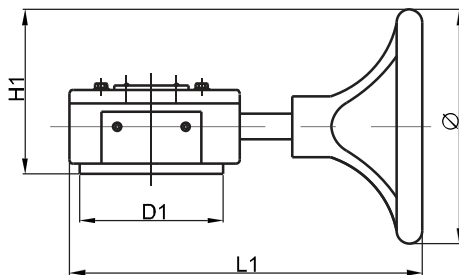


Mécanisme de commande manuelle



Material Specification

Part	Material
Housing	Cast Iron
Cover	Cast Iron
Worm	Carbon Steel
Worm Gear	Ductile Iron
Shaft	Carbon Steel
Handwheel	Cast Iron



Dimensions

Model	Concentric Valve		Eccentric Valve		D1	Ø	H	H1	L1	L2	L3	Output Torque (N M)	Rate
	Size inch mm	Size inch mm	Size inch mm	Size inch mm									
3D-15	2-6 50-150	2-5 50-125	108	145	65	113	212	45	129	200	24:1		
3D-50	8-10 200-250	6-8 150-200	146	285	70	182	305	62	171	500	30:1		
3D-120	12-14 300-350	10-12 250-300	165	285	77	182	300	85	198	1200	50:1		
XJ80	16-18 400-450	14-16 350-400	234	385	103	247	423	120	280	2500	80:1		
XJ300	20-24 500-600	18-20 450-500	276	385	143	270	490	122	316	4000	293.5:1		