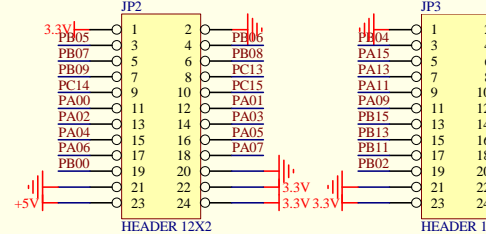
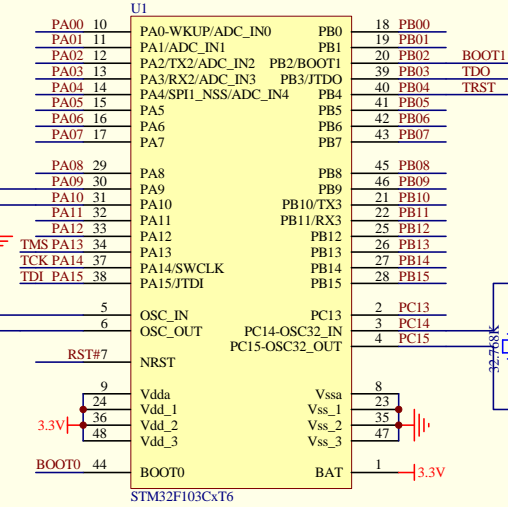
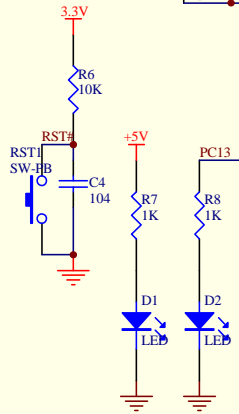
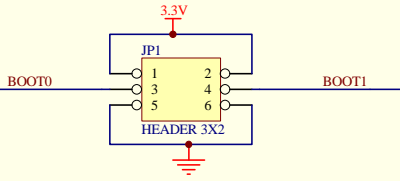
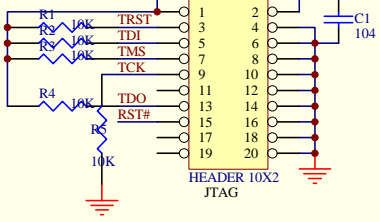
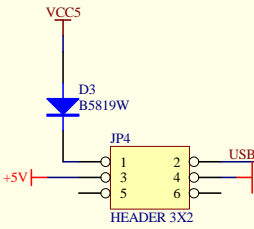
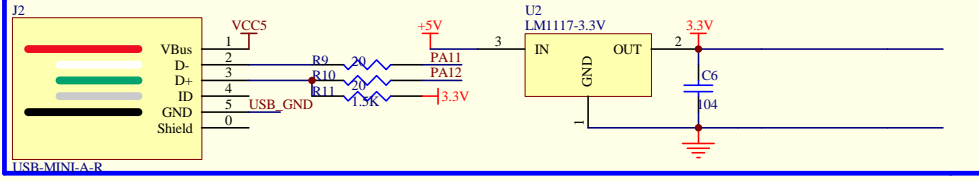


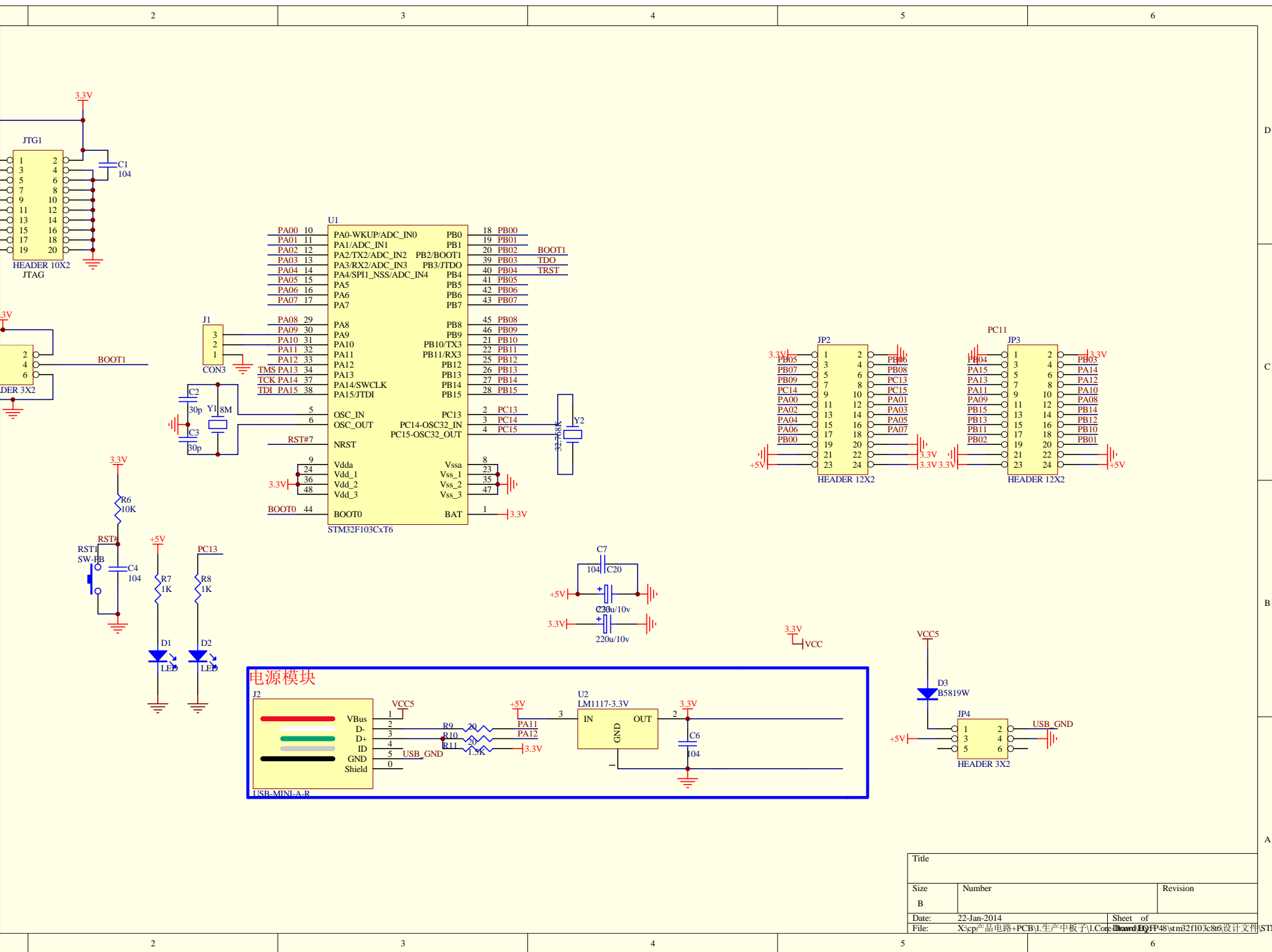
JTAG/SWD



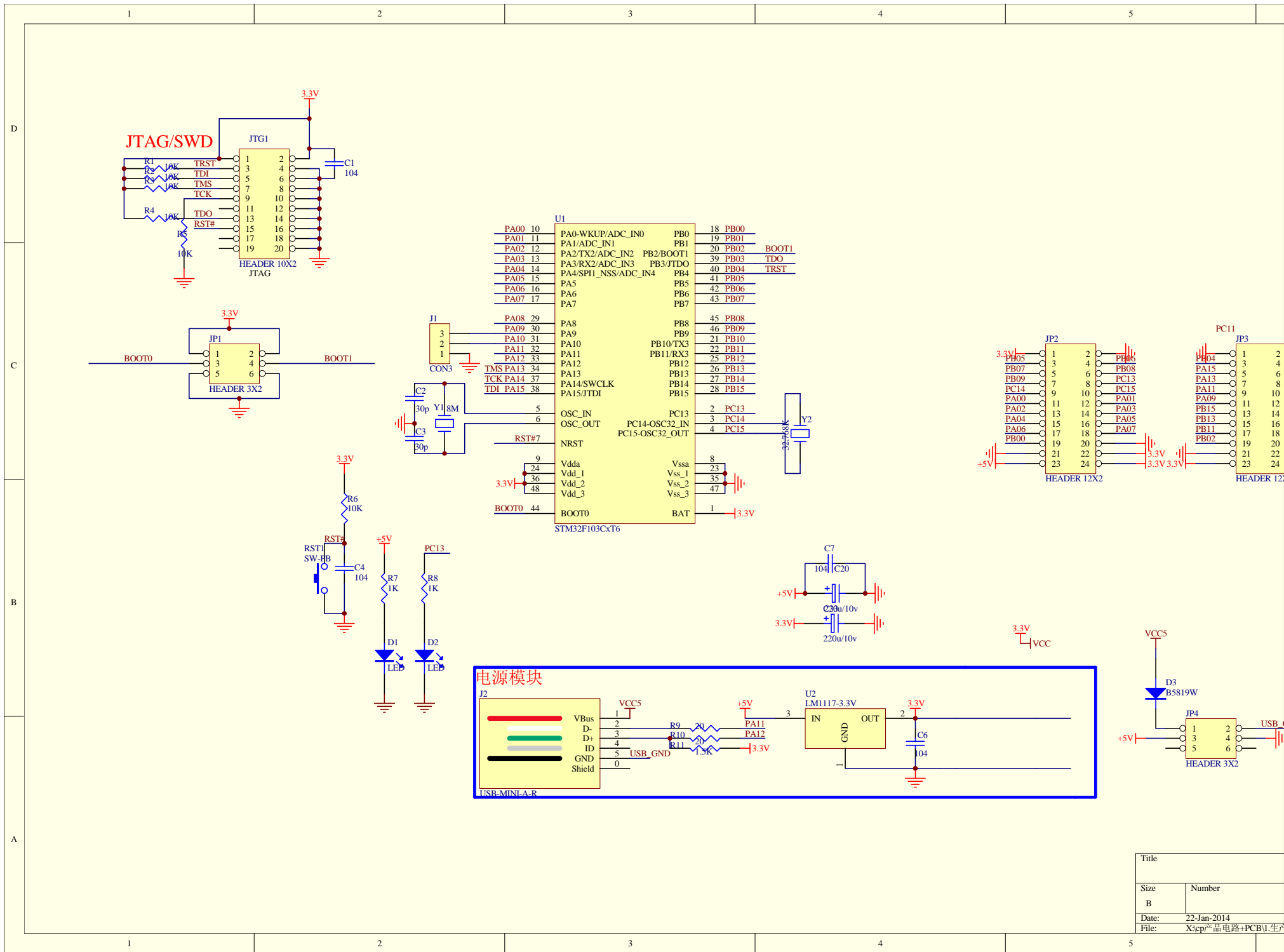
电源模块



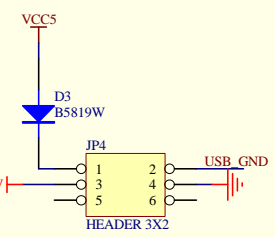
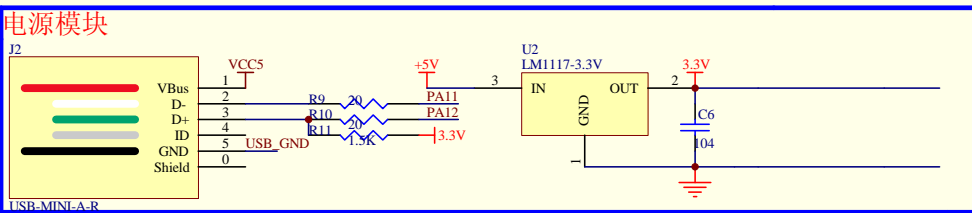
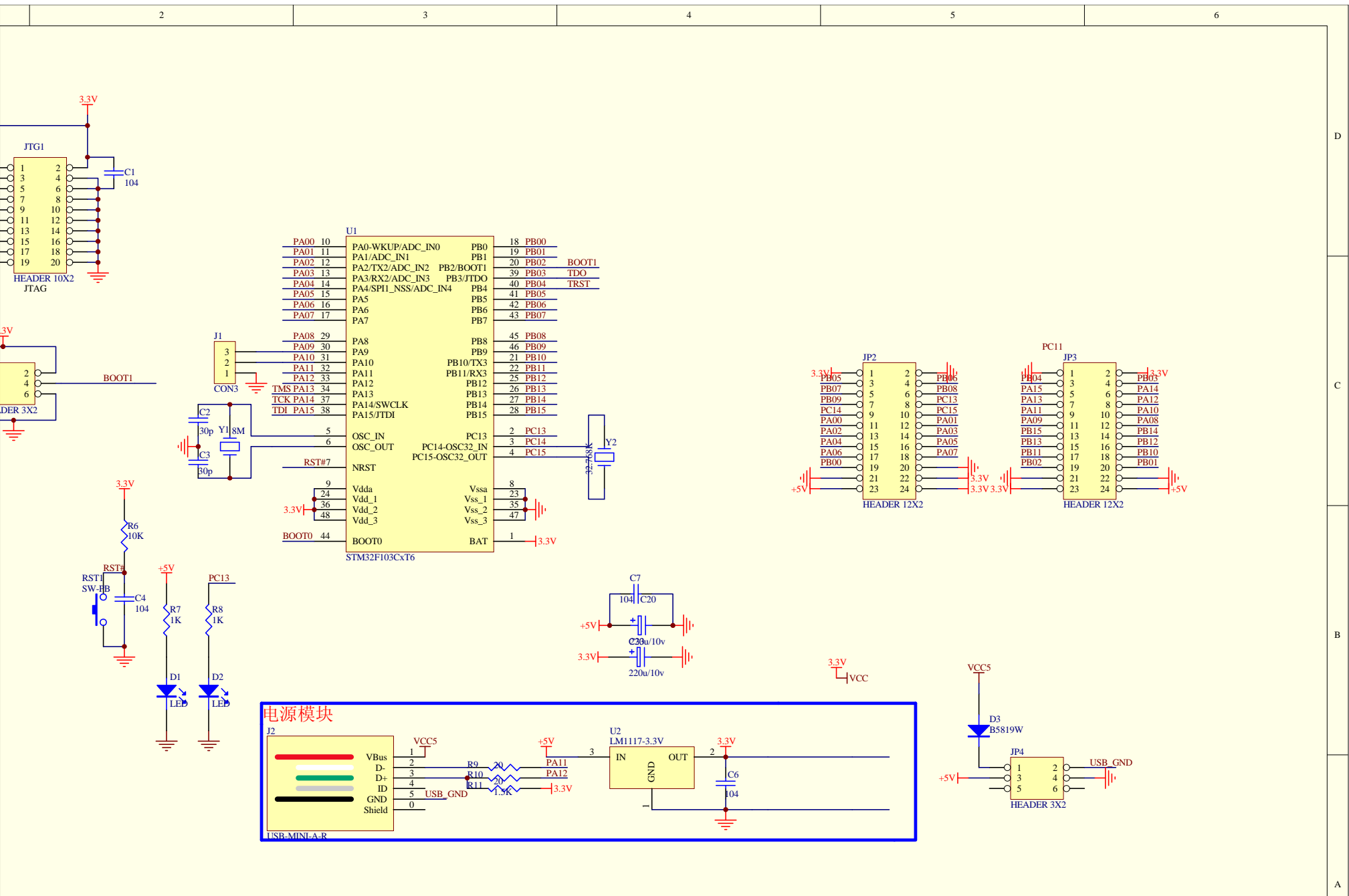
Title	
Size	Number
B	
Date:	22-Jan-2014
File:	X:\ep\产品电路+PCB1.生产



Title		
Size	Number	Revision
B		
Date:	22-Jan-2014	Sheet of
File:	X:\cp\产品电路+PCB\1.生产中板子\1.Code\Board\BQFP48\stm32f103c8t6设计文件\STM32F103C8T6_V1	



Title	
Size	Number
B	
Date:	22-Jan-2014
File:	X:\cp\产品电路+PCB\1.生产



Title		
Size	Number	Revision
B		
Date:	22-Jan-2014	Sheet of
File:	X:\cp\产品电路\PCB\1.生产中板子\1.拷贝\Board\BQFP48\stm32f103c8t6设计文件	STM32F103C8T6_V1